



APPLICATION

This Line Output Power Transformer series has been developed to provide the required scanning amplitude and EHT for the full range of 110° CTV's and wide screen Colour Picture Tubes with double focus grid.

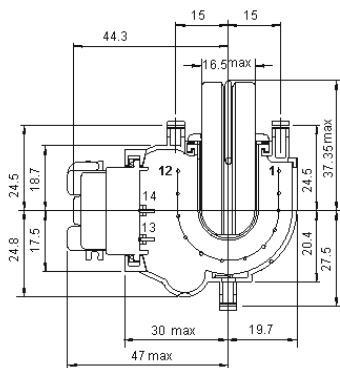
It operates at line frequencies of 15625 (Standard) or 31250 Hz (HDTV) and is suitable for very high quality CTV's.

The five diodes version is specially designed for HDTV and 16:9 applications. The external connections are made via 12 pins which are directly solderable to the PCB.

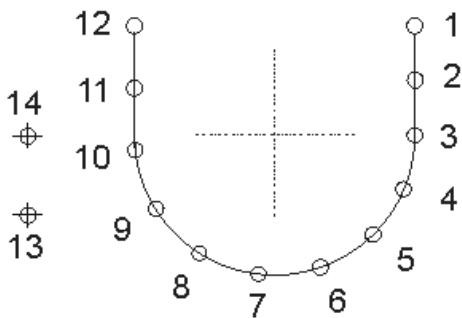
The double focus potentiometer (DAF) is internally connected to ground.

It is designed in order to meet International Safety Standards.

MECHANICAL DIMENSIONS (mm)



FOOTPRINT (copper side)



PACKAGING (single box)



WxLxH (mm) 88x74x156

SCHEMATIC DIAGRAM

